

APPLICATIONS

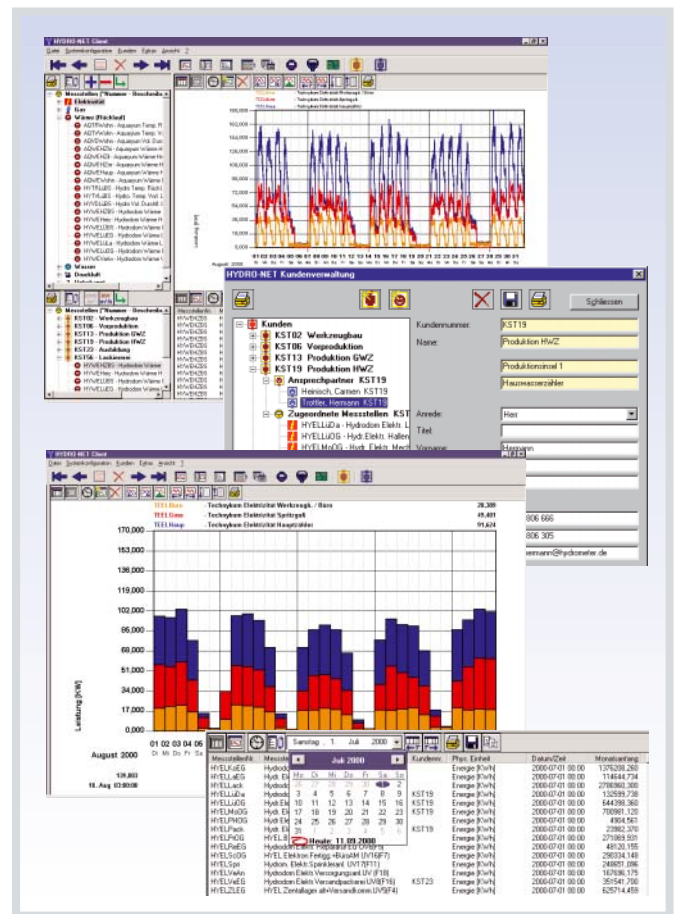
- Reading and remote reading of resource metering devices (water meter, heat meter, electricity meter, gas meter,...)
- Reading and remote reading of statuses (temperature, pressure, water level,...)
- Reading of M-Bus, pulse / contact (S0, open collector, reed), digital, and analog (0/4...20 mA) interfaces
- Uniform archiving of all data
- Editing and visualization of meter data in diagrams and tables
- Flow and statuses monitoring
- Export of meter data into other software e.g. for billing applications

APPLICATION EXAMPLES

- Collecting meter data for billing
- Collecting meter data for pipe and consumption monitoring
- General reading of meter data in the fields of electricity, gas, heat and water management
- Consumption monitoring and cost centre-dependent billing in industrial applications

FEATURES

- Client server software, can be used simultaneously by several users
- User administration with assignment of specific rights
- Meter reading e.g. over direct connection, telephone (analog, digital, cellular), radio and/or Internet.
- Administration and reading of all types of resources in one system
- Easy to use and simple to manage
- Archiving of all meter data in a SQL data base
- Various visualization types offer a clear representation of the data in diagrams and tables
- Manual and automatic data export e.g. using the Excel® format or customized data transfer interfaces to billing software
- Alarm notification messages on screen and as SMS message to a cellular phone.
- Demo CD available on request



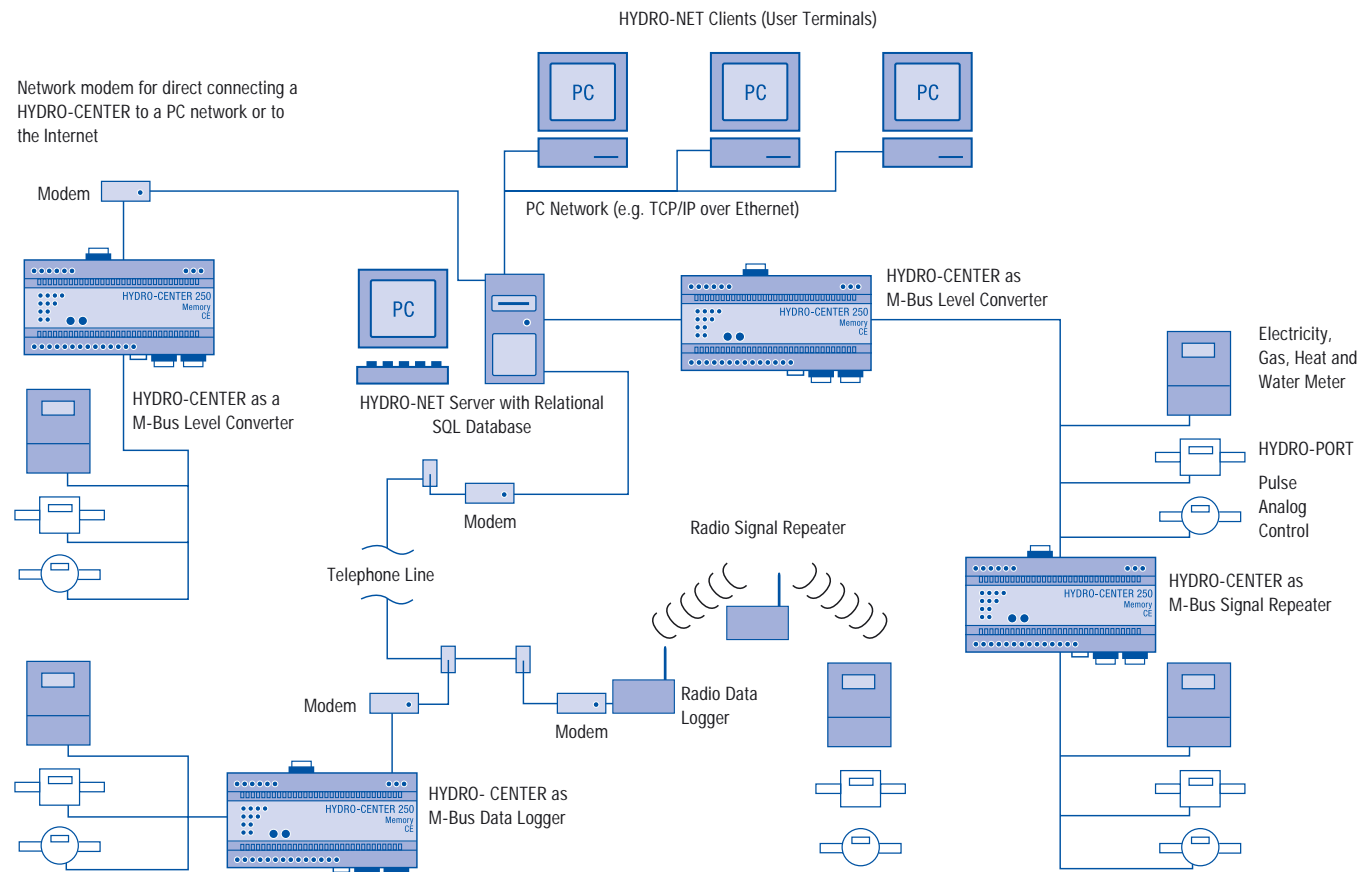
SYSTEM REQUIREMENTS

- Windows PC with Pentium processor, 400 MHz minimum
- Windows® 98, ME, NT 4.0 SP 6, 2000
- 64 MB (Windows® 98, ME) or 128 MB (Windows® NT, 2000) main memory, respectively
- 500 MB free hard disk space
- CD-ROM drive
- 800 x 600 minimum screen resolution (1024 x 768 recommended)
- TCP/IP network connection (multi user version only)

ADDITIONAL SYSTEM REQUIREMENTS

FOR HYDRO-NET SERVER PC

- At least one free serial port
- LPT1 printer port available
- Modem (for remote reading)



□ There are many different ways to collect meter data with the HYDRO-NET system.

ORDER REFERENCES

Article	Description	Order Number
HYDRO-NET 20	Software for energy and resource management, max. 20 meters, client-server software, licence for one user included, SQL database	535 000 60
HYDRO-NET 100	Software for energy and resource management, max. 100 meters, client-server software, licence for one user included, SQL database	535 000 61
HYDRO-NET Unlimited	Software for energy and resource management, unlimited number of meters, client-server software, licence for one user included, SQL database	535 000 62
HYDRO-NET Client	Additional user licence	535 000 63
HYDRO-NET Upgrade 20/100	Upgrade from 20 meters to 100 meters	535 000 64
HYDRO-NET Upgrade 20/Unlimited	Upgrade from 20 meters to unlimited number of meters	535 000 65
HYDRO-NET Upgrade 100/Unlimited	Upgrade from 100 meters to unlimited number of meters	535 000 66

The latest HYDROMETER system software and more technical information is available at our internet download page:
www.hydrometer.com/systems