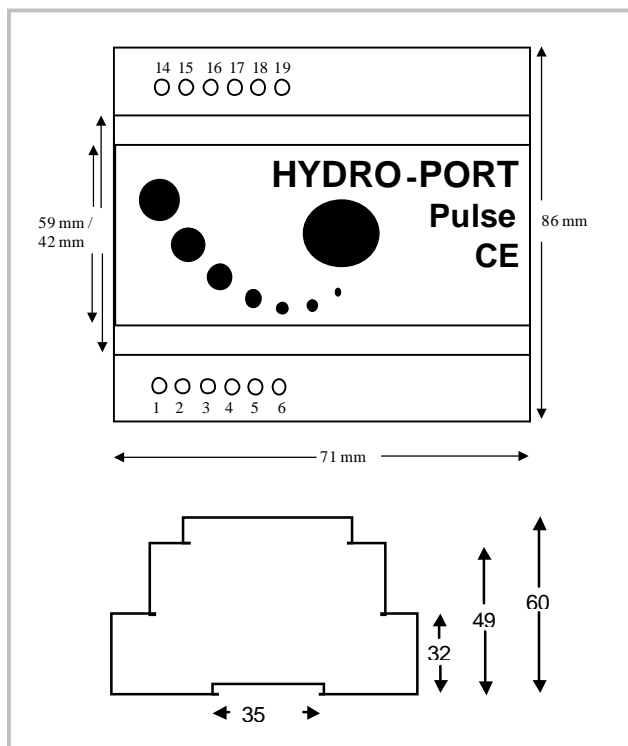




### DIMENSIONS



### FUNCTIONAL PRINCIPLE

The HYDRO-PORT Pulse consists of an electronic unit that collects meter information in the form of pulses. These pulse counts are converted into physical units. The data is transmitted via M-Bus protocol to a data concentrator (M-Bus Master).

### APPLICATION

- ❑ Connection of resource meters with pulse output to an M-Bus network (transformation of pulses into M-Bus protocol)
- ❑ For all meter types with pulse transmitter or Open Collector output
- ❑ For all meter types with current loop output (S0)

### FEATURES

- ❑ Standard rail-mount housing
- ❑ Two independent pulse counters
- ❑ Configuration via M-Bus interface using HYDRO-PORT PC-Software or
- ❑ Configuration via optical ZVEI interface using HYDRO-POCKET
- ❑ Physical unit and medium programmable for each input
- ❑ Pulse divisor programmable for each input
- ❑ Power supply via M-Bus, battery supply if M-Bus fails or
- ❑ External power supply for connecting meters with current loop output and meters with pulse transmitter / Open Collector output

### TECHNICAL DATA / INTERFACES

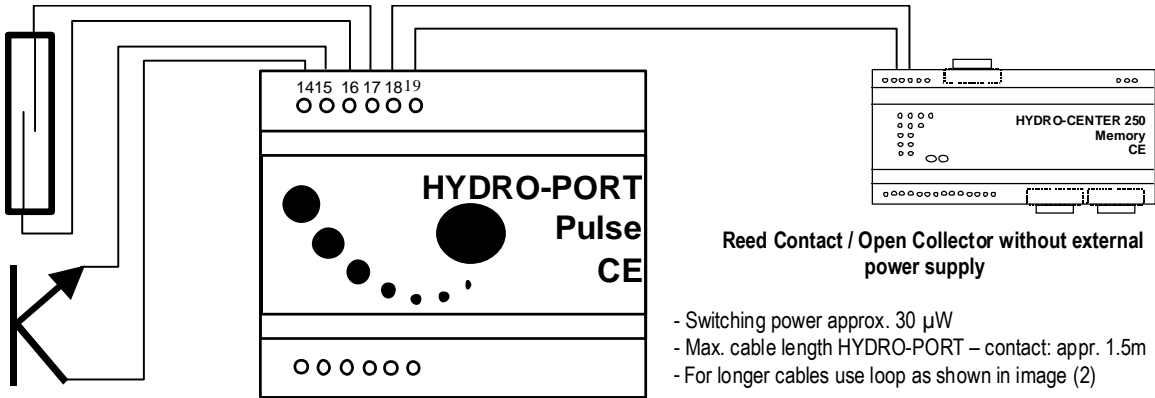
- ❑ Two independent pulse counter, each one with 48 Bit
- ❑ Input: 2x Pulse inputs for voltage-free contacts  
2x Current loop pulse inputs (S0)  
1x Input for external power supply
- ❑ Output: M-Bus
- ❑ Optical ZVEI interface
- ❑ Minimum Pulse width: 7.5ms
- ❑ Maximum Pulse frequency: 50 Hz
- ❑ Maximum cable length connecting pulse transmitter / Open Collector: 1.5m
- ❑ Battery: Lithium 3.6 V, Lifetime 7 years (typical)
- ❑ CE approval

### ENVIRONMENT

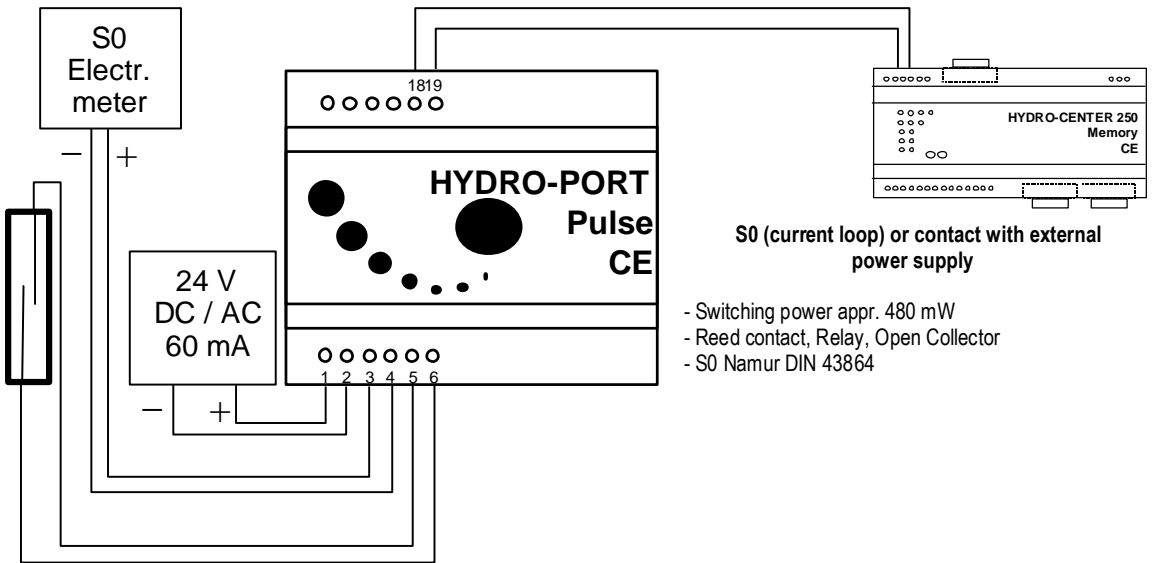
- ❑ Temperature range 0 °C up to 60 °C
- ❑ Humidity 10 % up to 70 %, not-condensing
- ❑ Protection class IP 20

### CONFIGURATION EXAMPLES

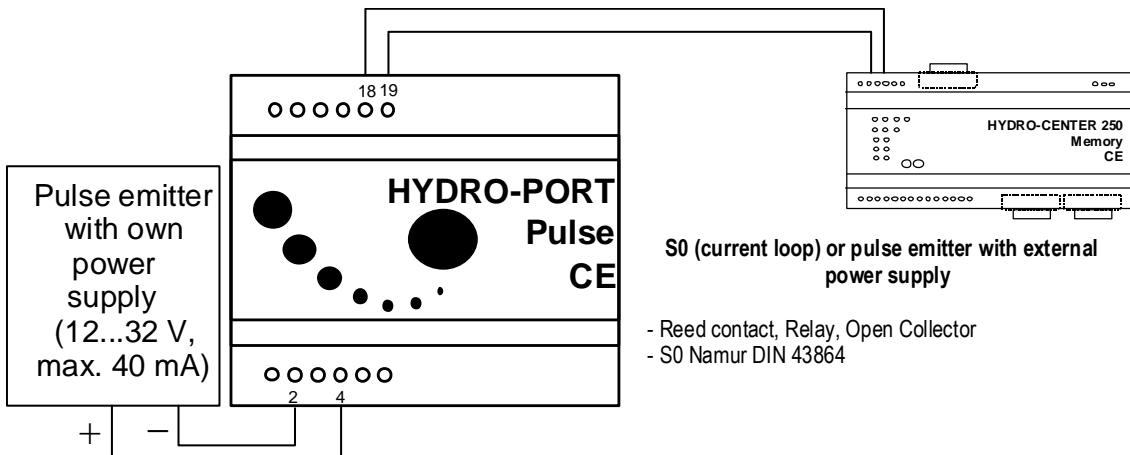
(1)



(2)



(3)



#### ORDER REFERENCES

Article	Description	Article number
HYDRO-PORT Pulse	Pulse to M-Bus converter with 2 pulse inputs	535 000 56

#### ACCESSORIES

Article	Description	Article number
HYDRO-CENTER 25	M-Bus level converter for max. 25 devices, 230 V 50...60 Hz power supply	535 000 93
HYDRO-CENTER 25 Memory	M-Bus level converter / master for max. 25 devices, 2 MByte data logger memory included, 230 V 50...60 Hz power supply	535 000 94
HYDRO-CENTER 25 Solar	M-Bus level converter / master for max. 25 devices, 2 MByte data logger memory included, battery charger for 12 V solar power supply max. 1 A	535 000 55
HYDRO-CENTER 60	M-Bus level converter / repeater for max. 60 devices, 24 V AC/DC power supply	535 000 50
HYDRO-CENTER 60 Memory	M-Bus level converter / master for max. 60 devices, 2 MByte data logger memory included, 24 V AC/DC power supply	535 000 51
HYDRO-CENTER 250	M-Bus level converter / repeater for max. 250 devices, 24 V AC/DC power supply	535 000 52
HYDRO-CENTER 250 Memory	M-Bus level converter / master for max. 250 devices, 2 MByte data logger memory included, 24 V AC/DC power supply	535 000 53
HYDRO-CENTER Power	Power supply for HYDRO-CENTER 60/250, 230 V 50 Hz input, 24 V 50 Hz output, 24 W	535 000 54
HYDRO-POCKET	Windows CE handheld computer for HYDRO-PORT parameterization via optical interface (needs HYDROMETER opto transceiver)	580 000 20
HYDROMETER Opto transceiver	Opto transceiver according to ZVEI	535 000 43