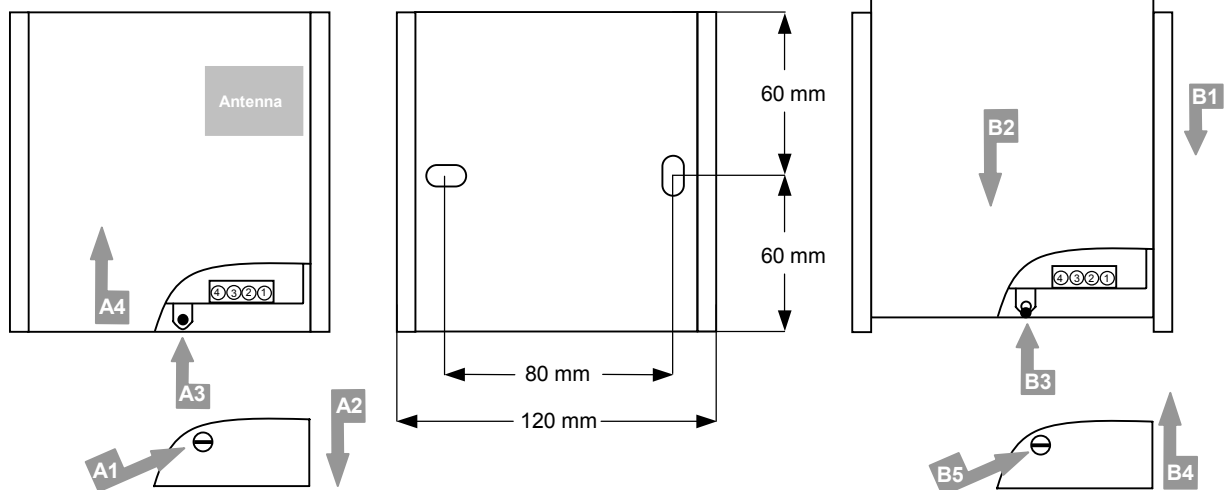


## M-Bus Receiver 868 Installation



**Important Note:** The M-Bus Receiver 868 (M-Bus Radio Receiver for 868 MHz) device may only be installed and operated by trained personnel.

### Mounting and Dismounting

For easy attaching and detaching the M-Bus Receiver 868 is equipped with a removable wall holder.

**The M-Bus Receiver 868 must be installed at least 10 cm away from all metal parts (pipes, wires).**

**The installation area must comply to the protective class IP44 of the housing.**

**Mounting  
Wall Holder:**

The wall holder is intended to be fixed with two 5 mm screws on a smooth and even plain. Drill the appropriate holes with a spacing of 80 mm (see drawing).

**Mounting:**

Place the M-Bus Receiver 868 onto the wall holder as shown in the picture on the right hand side (B1). Slide the M-Bus Receiver 868 down on the wall holder (B2) until the lock (B3) snaps in. Slide the terminal protection cap from the bottom of the opening upwards to cover the terminals (B4). Bolt the terminal protection cap with a plastic seal (B5).

**Dismounting:**

Use a screwdriver to turn the plastic seal until it breaks (A1). Slide the terminal protection cap downwards to uncover the terminals (A2). Lift the lock (A3) and slide the M-Bus Receiver 868 upwards (A4). The M-Bus Receiver 868 may now be removed from the wall holder.

### Electrical Connections

For connecting the M-Bus Receiver 868 the terminal protection cap must be removed.

**Connections:** Connect the two wire cable from a HYDRO-CENTER to terminal 1 and 2 (M-Bus input). The connection is polarity independent. If you want to connect additional M-Bus Receiver 868 or standard M-Bus devices to the same M-Bus, use terminals 3 and 4 (M-Bus output) to extend the M-Bus to the next device.

Terminal	Description
1	M-Bus Input Polarity 1
2	M-Bus Input Polarity 2
3	M-Bus Output Polarity 1
4	M-Bus Output Polarity 2

### Application

The M-Bus Receiver 868 is **only** to be used together with HYDRO-CENTER 60 / 250 devices.

**Particularly, it cannot be used with HYDRO-CENTER 25 devices.**

The M-Bus Receiver 868 needs an amount of M-Bus current comparable to 20 standard M-Bus devices. Therefore, it is possible to connect:

- max. 3 M-Bus Receiver 868 to one HYDRO-CENTER 60** and
- max. 12 M-Bus Receiver 868 to one HYDRO-CENTER 250**

In all cases the **maximum M-Bus cable length** is limited to **100 m .. 1 km (max.)**, dependant of the number of M-Bus Receiver 868 and the number of other M-Bus devices connected to the M-Bus.

### Indicators

A red and a green LED next to the terminals of the M-Bus Receiver 868 are indicating the operational state.

- Start Up:** Both LED light up once for approximately 1 second.
- Operation:** The green LED lights up if a valid radio device telegram has been received. The red LED lights up if an invalid radio device telegram has been received.
- Hardware Failure:** Both LED light up permanently after start up. In this case the self check has failed and the M-Bus Receiver 868 must be replaced.
- Firmware Update:** During a firmware update of the M-Bus Receiver 868 both LED flash alternatively with a frequency of approximately 2 Hz.

### Customer Support

A complete technical data sheet and additional information are available at our download center internet page.

HYDROMETER GmbH  
Systems  
Industriestraße 13  
91522 Ansbach  
Germany

Phone: +49 981 1806 0  
Fax: +49 981 1806 605  
Email: [support@hydrometer.de](mailto:support@hydrometer.de)  
WWW: <http://www.hydrometer.de>  
<http://www.hydrometer.com/systems>

### Configuration Example

